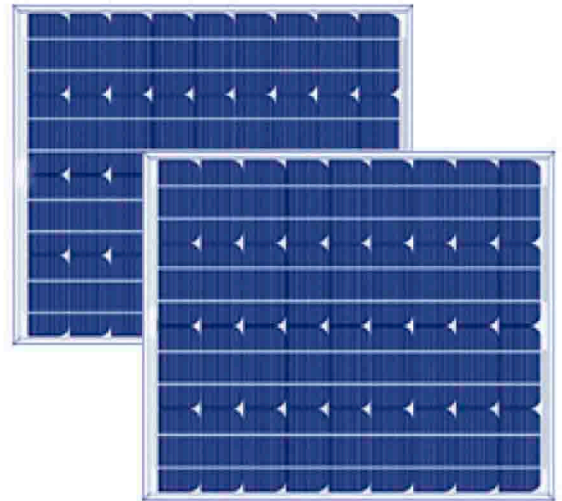


High Efficiency Multicrystal Photovoltaic Module MPi40MPV

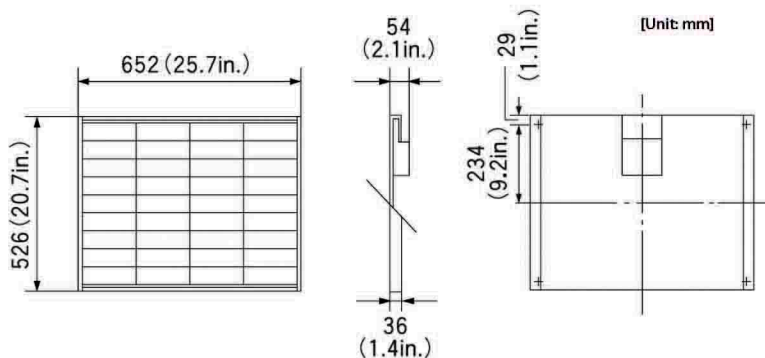
Our wafers, cells and modules are produced under one roof manufacturing plant which assures that the highest quality components go into each of our multicrystal photovoltaic module. These cells are encapsulated between a tempered glass cover and a pottant with back sheet to provide efficient protection from the severest environmental conditions.

Features of MPi40MPV

- High conversion efficiency >15%
- Each module is individually tested to ensure field performance meets or exceeds specifications.
- Solar cells are matched to reduce internal losses and the possibility of hot spots.
- Tempered textured glass : high chemical and thermal shock resistance
- Rugged, durable aluminium frame makes for strong, stable mechanical mounting.
- Wide application: electrification of villages in remote areas, power source for summer vacation homes, navigation lighthouses, pumping systems for irrigation, rural water supplies and livestock watering, etc
- Very simple assembly process - low assembly costs
- Easy to install detachable screw connections



Physical Specifications



Electrical Specifications*

Model	MPi40MPV
Module type	multi-crystal
Max. Power Pp	40 Watts
Max. Power Voltage Vp	17.3 Volts
Max. Power Current Ip	2.46 Amps
Open Circuit Voltage Voc	21.6 Volts
Short-Circuit Current Isc	2.65 Amps
Length	526 mm
Width	652 mm
Depth	54 mm
Size of cell	159 x 55 mm
No. of cells	36
Weight	4.5 Kg
Tolerance	+/- 5%

Thermal Parameters

Nominal Operating Cell Temp	47 °C
Current Temp Coefficient Isc	$1.06 \times 10^{-3} \text{ A/}^\circ\text{C}$
Voltage Temp Coefficient Voc	$-8.20 \times 10^{-2} \text{ V/}^\circ\text{C}$

Surface Max. Load Capacity	60m/s (200kg/m ²)
Allowable Hail Load	steel ball fall down from 1m height
Frame	aluminum

* The electrical specifications are under test conditions of Irradiance of 1 kw/m², Spectrum of 1.5 air mass and cell temperature of 25 °C